

ZVLV-10.14.07-PP 682109

Primary Usage

Reference No.

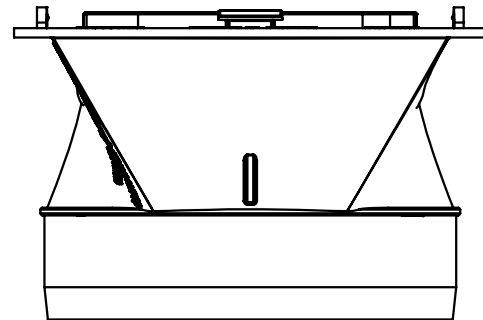
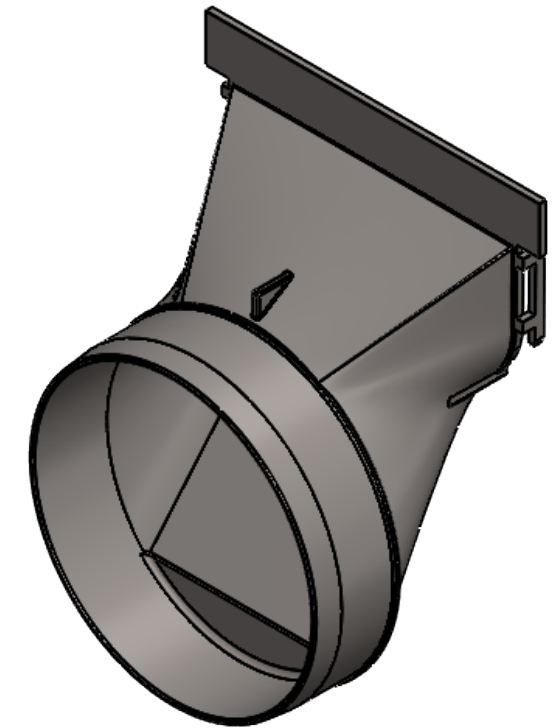
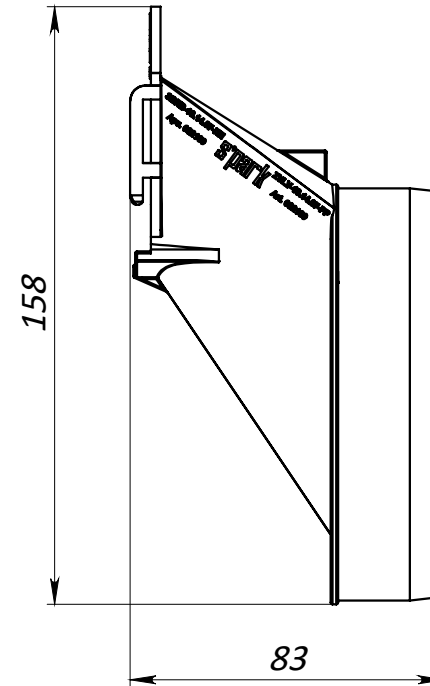
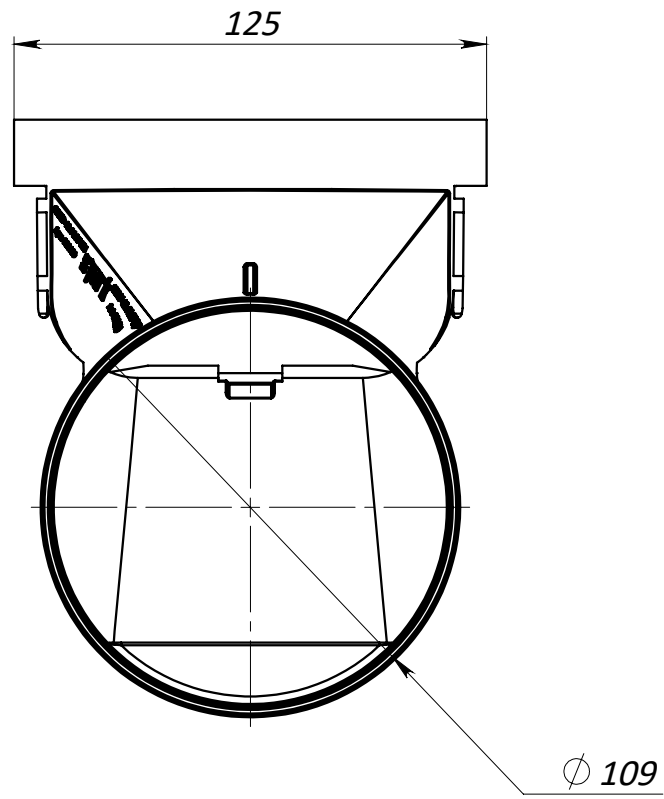
Sign. and date

Copy inv. No.

Repl. Inv. No.

Sign. and date

Orig. Inv. No.



1. Deviation of the actual weight of the nominal can be up to 12%

					Art.	682109
					ZVLV-10.14.07-PP 682109	
					Let.	Weight
						Scale
						0.072
						1:2
					Sheet	Sheets 1
					Plastic	
					