

PV-10.14.25-PP 0888033

Primary Usage

Reference No.

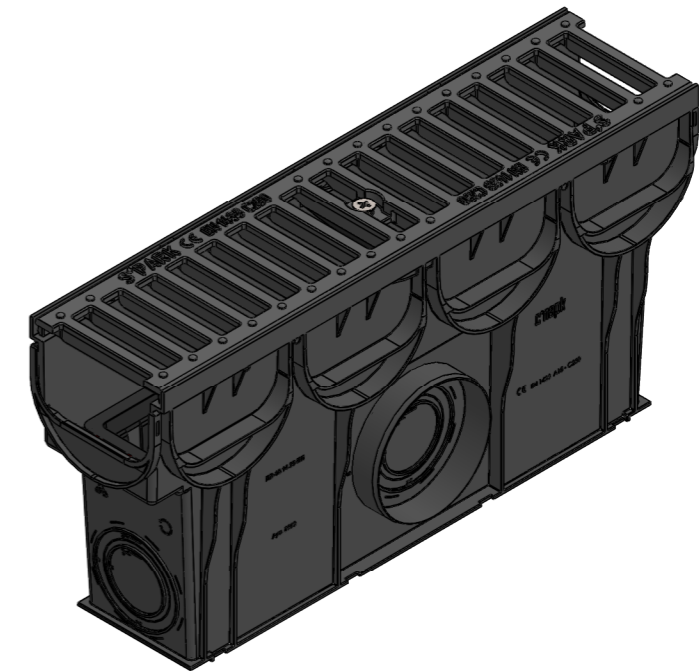
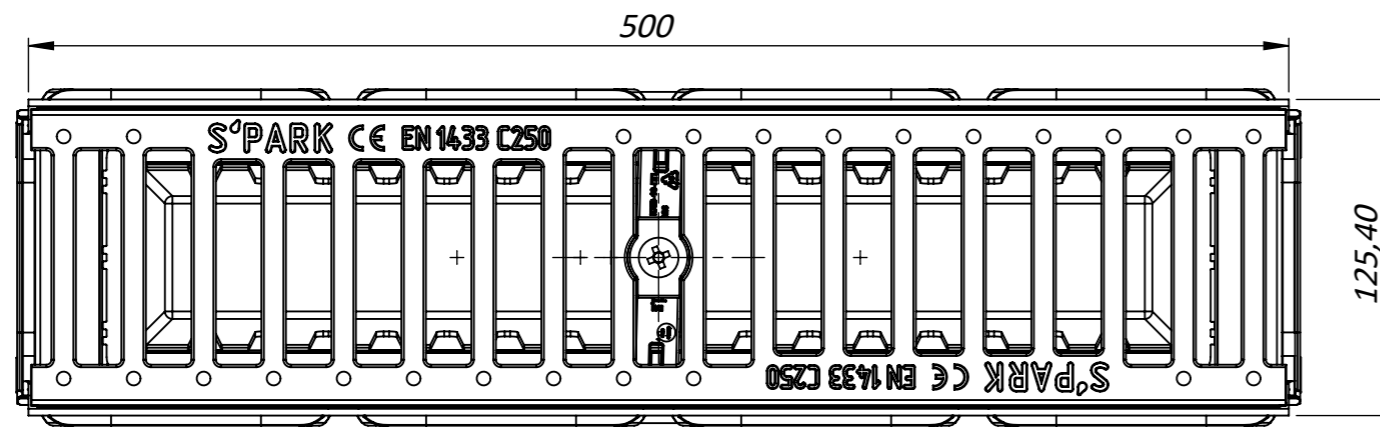
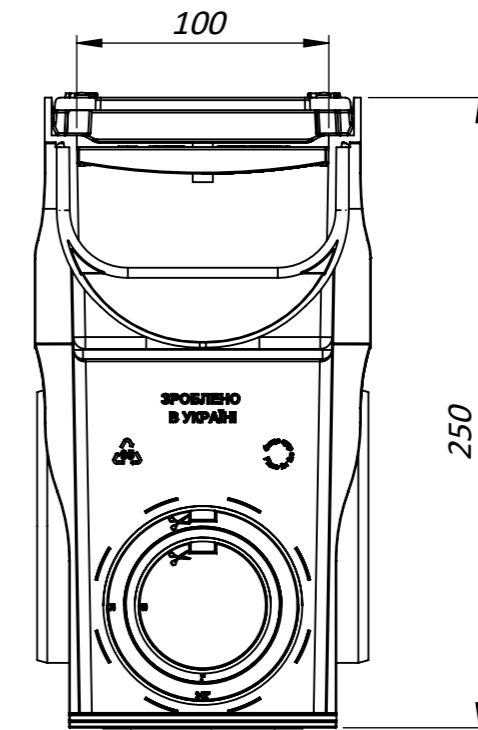
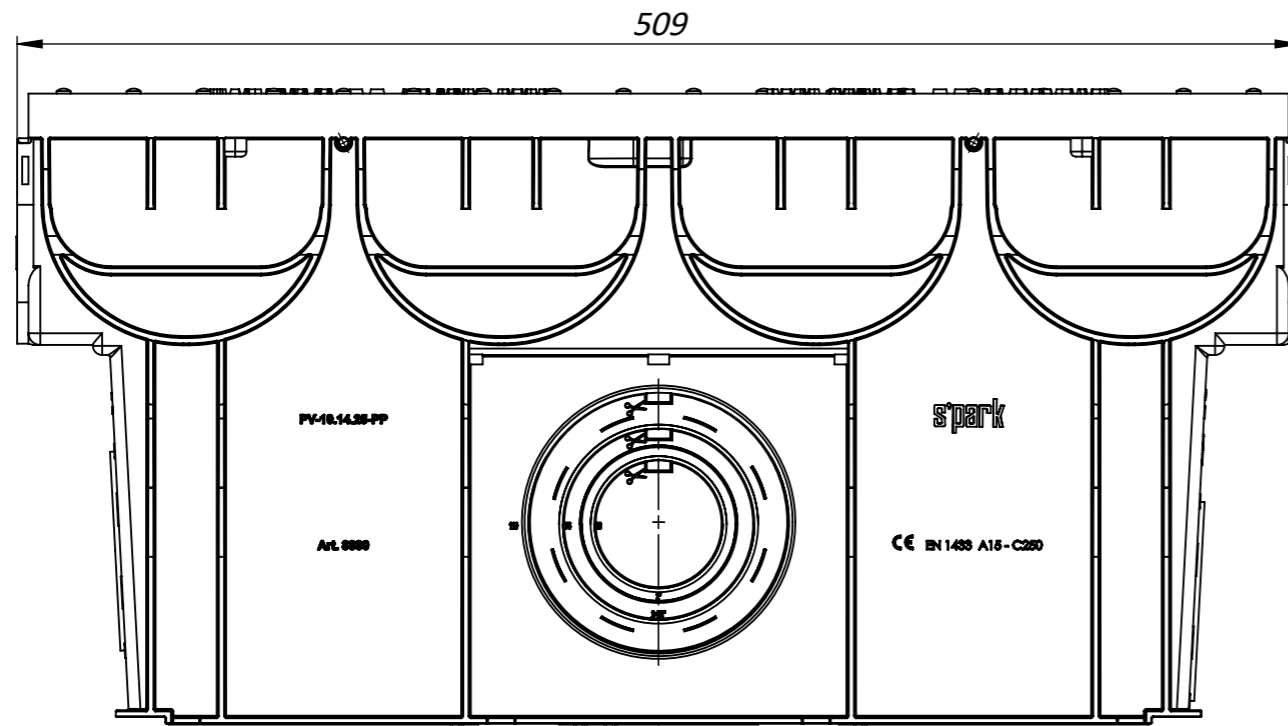
Sign. and date

Copy inv. No.

Repl. Inv. No.

Sign. and date

Orig. Inv. No.



1. Deviation of the actual weight of the nominal can be up to 12%

					Art.	0888033
					PV-10.14.25-PP 0888033	
					Let.	Weight
						Scale
						3,35
						1:3
					Sheet	Sheets 1
					Plastic	
					