

LV-10.15.08-PP - 8010

Primary Usage

Reference No.

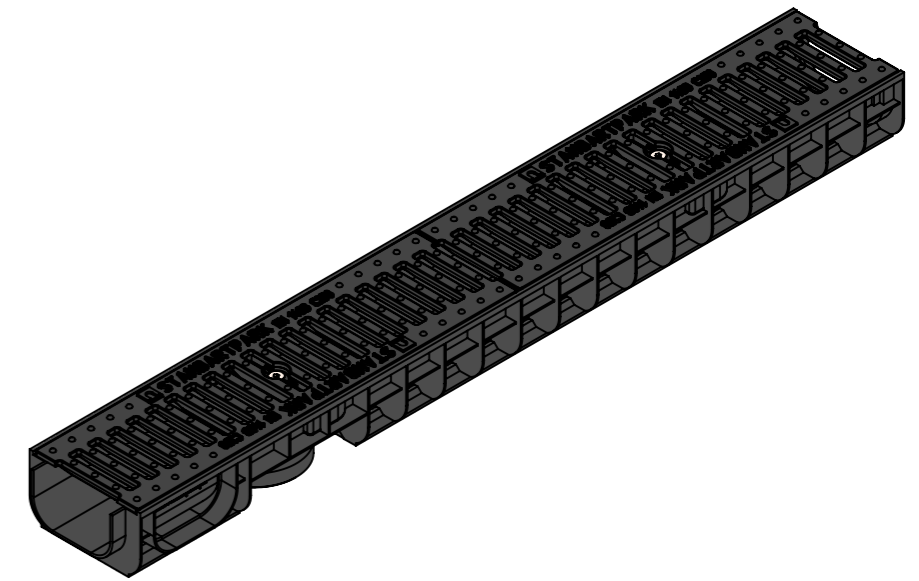
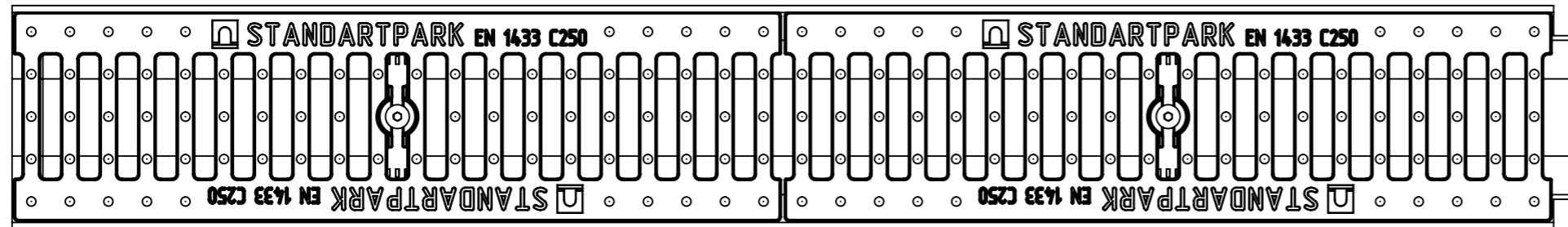
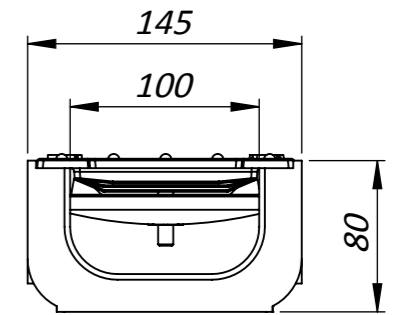
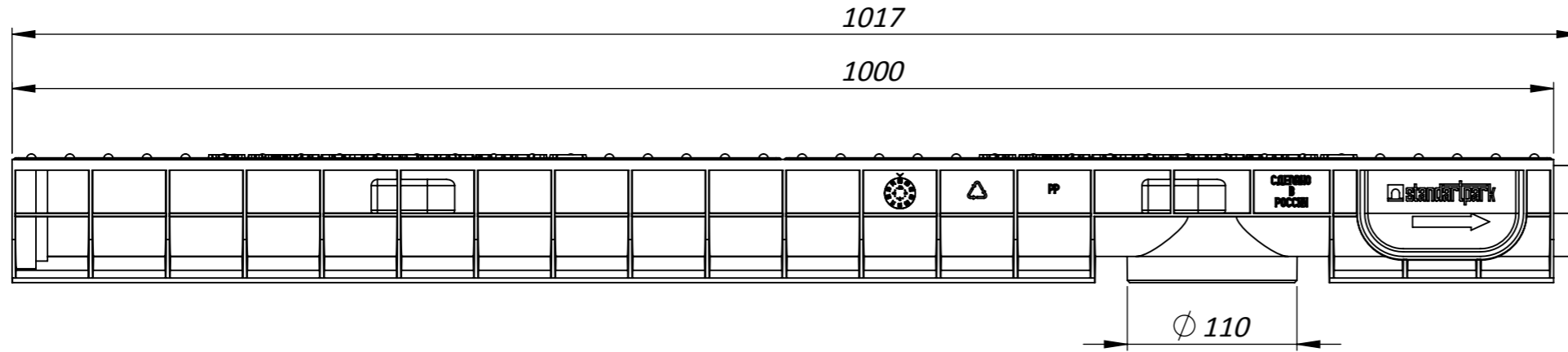
Sign. and date

Copy inv. No.

Repl. Inv. No.

Sign. and date

Orig. Inv. No.



						Art.	8010	
						LV-10.15.08-PP - 8010		
						Let.	Weight	Scale
							6.4	1:4
						Sheet	Sheets 1	
						Plastic, Ductile Cast Iron		