

LV-07.09.09-PP - 088081-M

Primary Usage

Reference No.

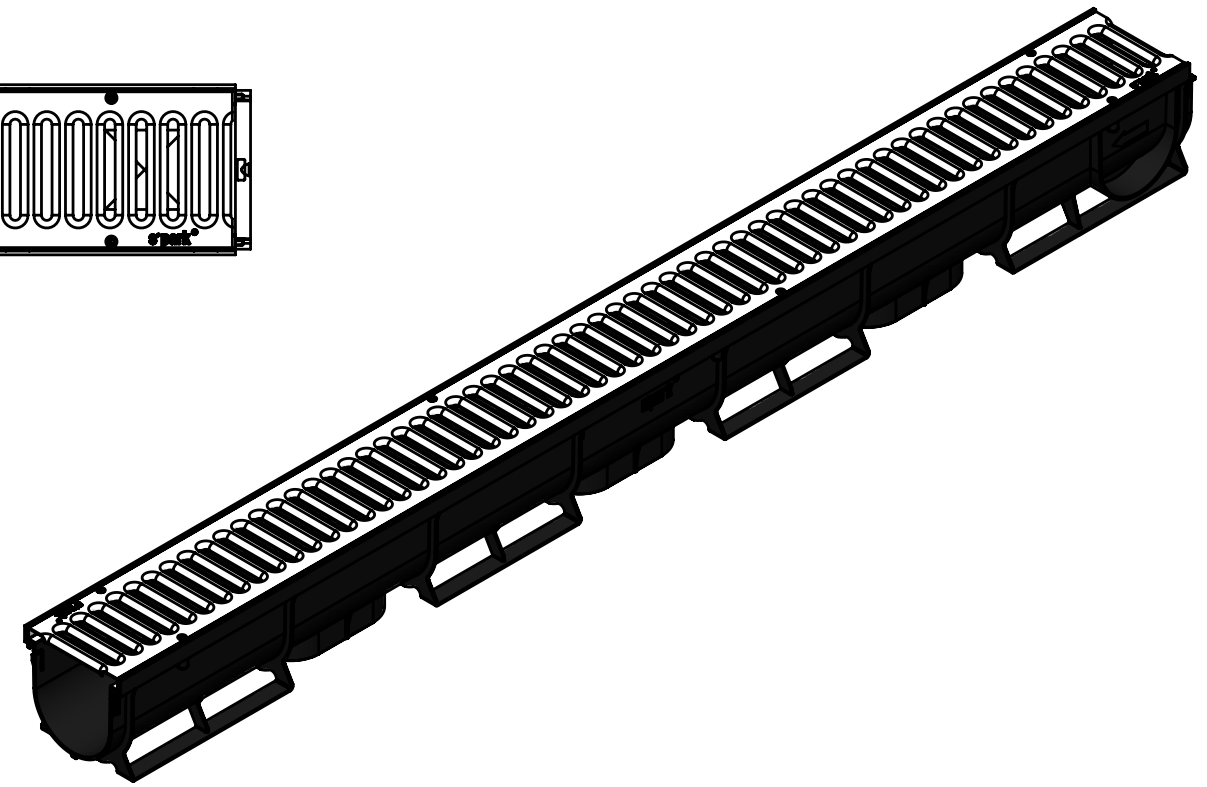
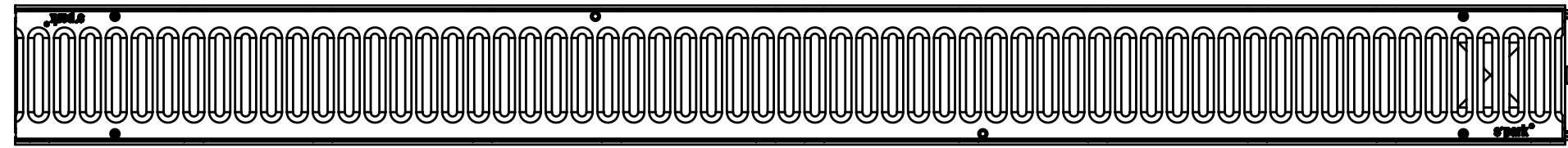
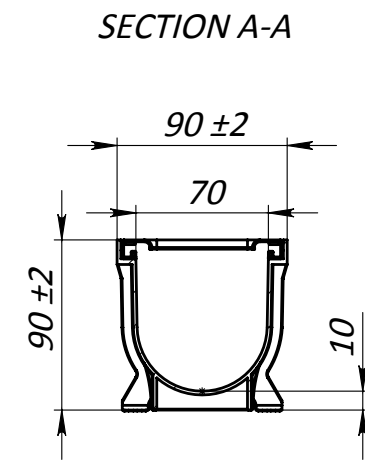
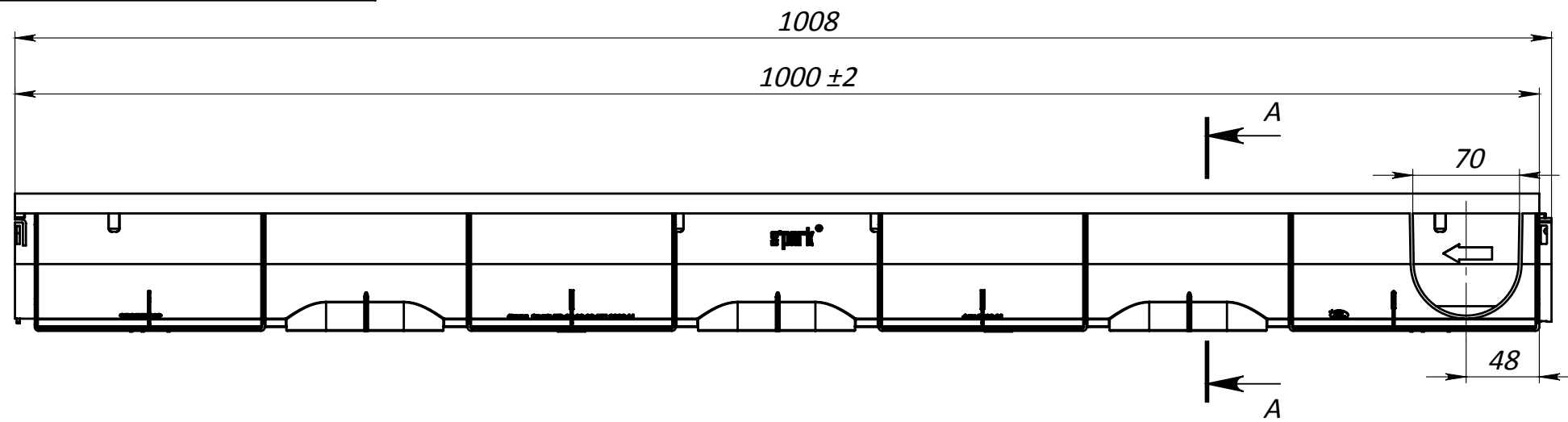
Sign. and date

Copy inv. No.

Repl. Inv. No.

Sign. and date

Orig. Inv. No.



1. Area of water intake slots 175 cm²

					Art. 088081-M											
					LV-07.09.09-PP - 088081-M											
					Plastic Channel Spark with grating slotted											
					Load Class A											
					Plastic, Steel											
					<table border="1"> <tr> <td>Let.</td> <td>Weight</td> <td>Scale</td> </tr> <tr> <td></td> <td>1.34</td> <td>1:4</td> </tr> <tr> <td>Sheet</td> <td colspan="2">Sheets 1</td> </tr> </table>			Let.	Weight	Scale		1.34	1:4	Sheet	Sheets 1	
Let.	Weight	Scale														
	1.34	1:4														
Sheet	Sheets 1															