

1. Deviation of the actual weight of the nominal can be up to 8%

UNLESS OTHERWISE SPECIFIED: DIMENSIONS ARE IN MILLIMETERS SURFACE FINISH: TOLERANCES: ISO 2768-c LINEAR: ANGULAR:				FINISH:		DO NOT SCALE DRAWING		REVISION	
						TITLE: Plastic catch basin NEO 300x300			
						ARTICLE: 837011		A3	
						MATERIAL: Plastic		SCALE: 1:5	
						WEIGHT: 0,850 kg		SHEET 1 OF 1	
DRAWN PAH		SIGNATURE		DATE 11.12.25					
CHK'D PIL									
APPV'D									
MFG									
Q.A									



6

5

4

3

2

1

D

D

C

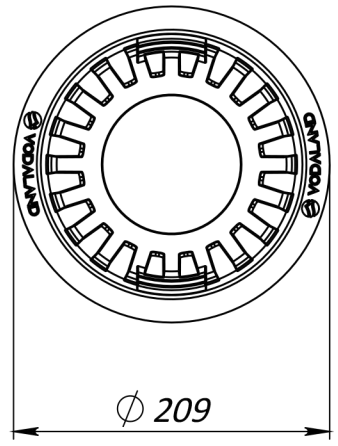
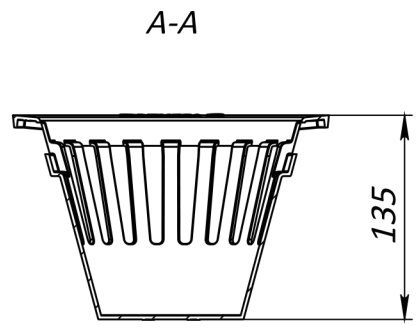
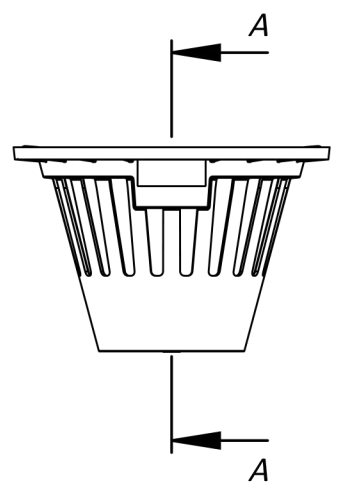
C

B

B

A

A



1. Deviation of the actual weight of the nominal can be up to 8%

UNLESS OTHERWISE SPECIFIED: DIMENSIONS ARE IN MILLIMETERS SURFACE FINISH: TOLERANCES: 2768-c LINEAR: ANGULAR:				FINISH:		DO NOT SCALE DRAWING		REVISION	
				TITLE:		Plastic basket for catch basin NEO 300x300			
NAME	SIGNATURE	DATE							
DRAWN PAH		12.12.25				Article:		687911	
CHK'D PIL								A4	
APPV'D									
MFG									
Q.A			MATERIAL:			Plastic			
				WEIGHT: 0,145 kg		SCALE:1:5		SHEET 1 OF 1	

6

5

4

3

2

1

6

5

4

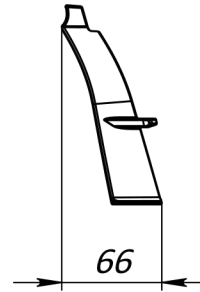
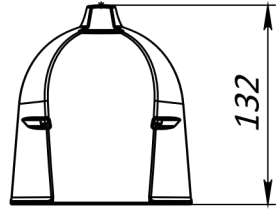
3

2

1

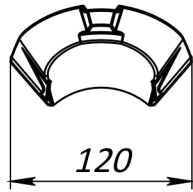
D

D



C

C



B

B

1. Deviation of the actual weight of the nominal can be up to 8%

UNLESS OTHERWISE SPECIFIED: DIMENSIONS ARE IN MILLIMETERS SURFACE FINISH: TOLERANCES: 2768-c LINEAR: ANGULAR:				FINISH:		DO NOT SCALE DRAWING		REVISION	
	NAME	SIGNATURE	DATE			TITLE:  Plastic partition-siphon for catch basin NEO 300x300			
DRAWN	PAH		15.12.25						
CHK'D	PIL								
APPV'D									
MFG									
Q.A				MATERIAL:  Plastic		Article:  687811		A4	
				WEIGHT: 40 g		SCALE:1:5		SHEET 1 OF 1	

A

A

6

5

4

3

2

1