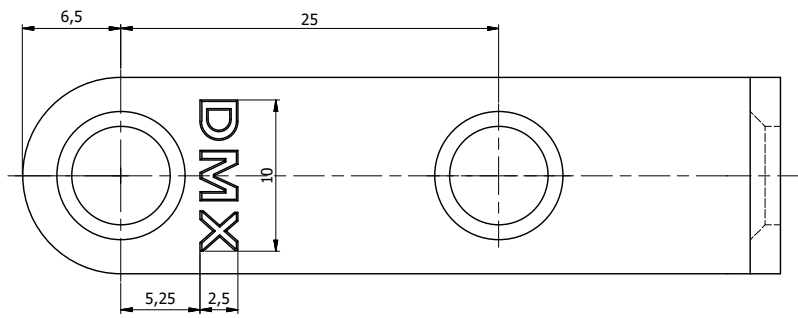
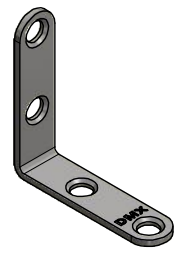
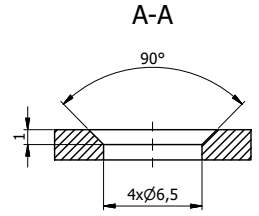
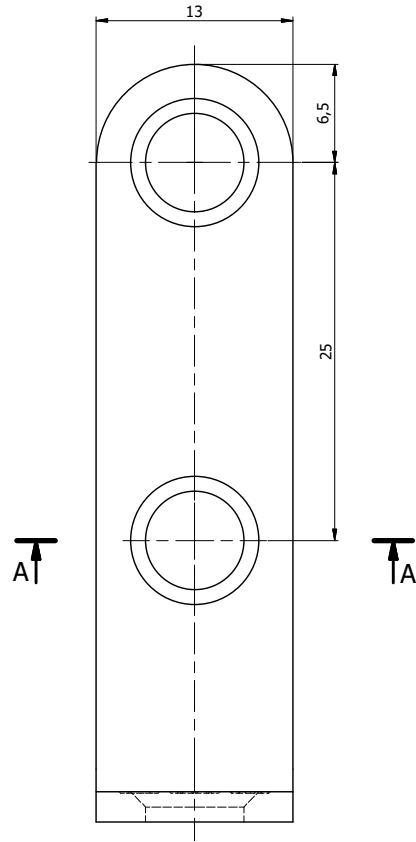
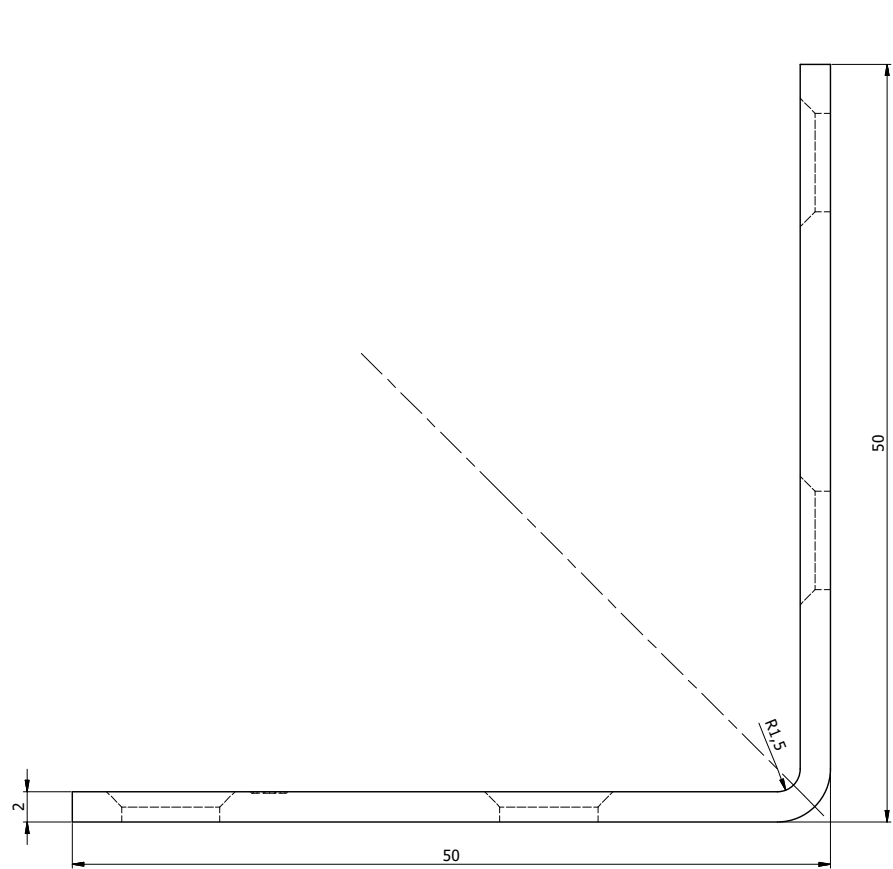


This document is the absolute property of DOMAX Sp. z o.o. This document must not be copied without the written permission of DOMAX Sp. z o.o. The contents thereof must not be disclosed to a third party nor be used for any unauthorized purpose. Contravention will be prosecuted.

Rev.	Explanation	Date	Revised by	Approved by



Note:
 1. General tolerances EN 22768 mK.
 2. Carry the marks to 0,1 [mm] depth.

1	Flat	1	x2-96,5x13	DC01	27,3	16,7
Item	Identification	Amt.	Specification	Raw material	Surface [cm ²]	Weight [g]
Design	K. Rytlewski		Checked	Approved	Scale	2:1
Drawn	K. Rytlewski					Sheet
Index	Date	12.09.2017				1/1
			Connector FKW 50			Rev.
DOMAX Sp. z o.o.			FKW 50			