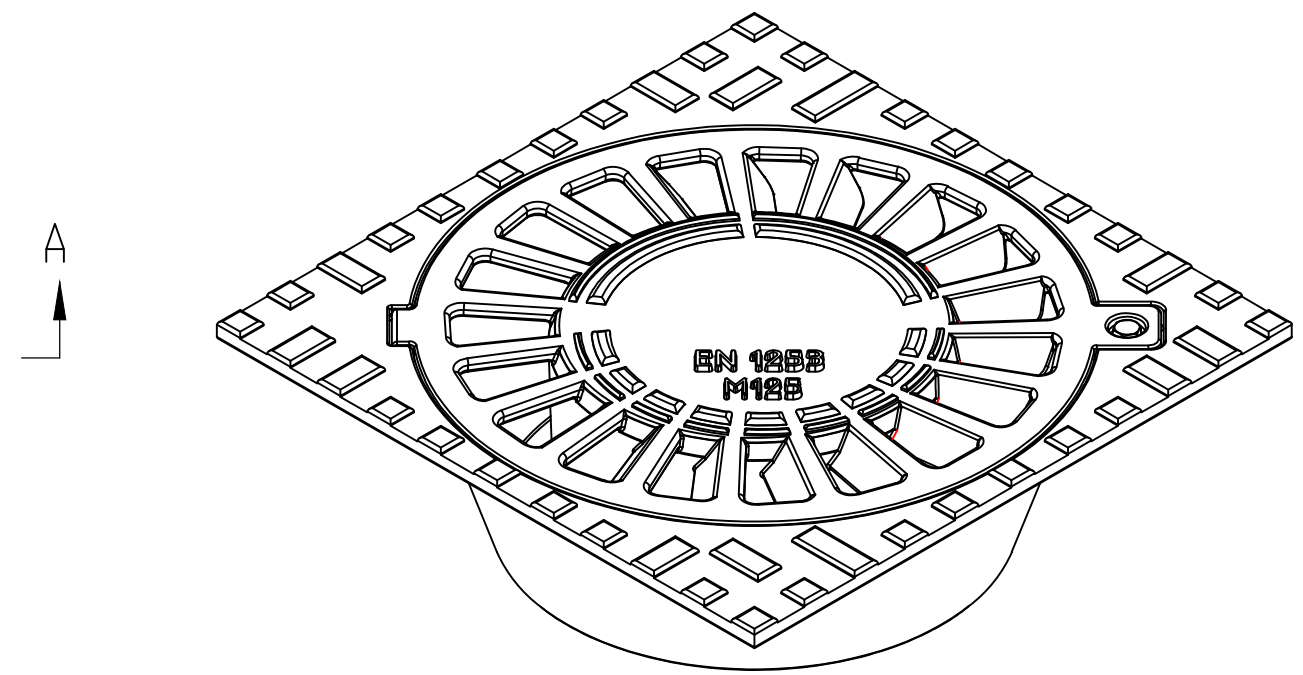
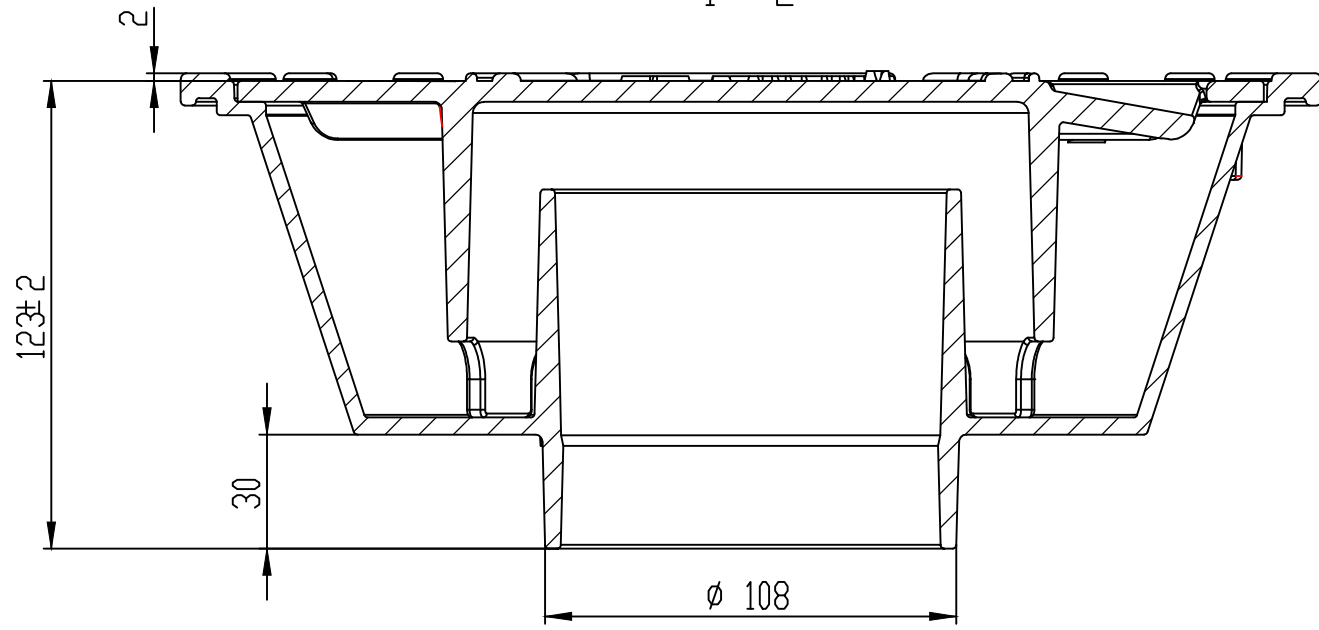


A-A
1:2



1. According to GOST 26645-85 for casting from 10 to 40 kg of 9 class of accuracy, the deviation from the mass can be up to 8%
2. Comparative weight of the case depending on height

					Art 3335313-5			
Rev	Sheet	Doc.No.	Sign.	Data	Trap type M125 300x300 vertical output DN110	Let.	Weight [kg]	Scale
Dvlpd by		Prokopenko		28.08.2018			9,1	1:2
Chkd by								
Tech. Ctrl						Sheet 1	Sheets 1	
Reg.Doc.Ctrl					GGG50			
Aprvd by								